

Chimney Fan

RS 009-016

Use

The RS Chimney Fan is an exhaust fan used to maintain proper draft in a chimney or stack system. Typical uses include venting of fireplaces, BBQ's, pizza ovens and stoves.

Description

The RS Fan should be installed at the termination point of the chimney or stack section. It is typically mounted in the vertical position but may be side-wall vented as well.

The fan assures a negative pressure is maintained in the entire chimney or stack system. The fan discharges horizontally (vertically, if side-wall vented) at a high velocity.

The fan housing is hinged and the top can be opened for easy service and access to stack.

Material

Housing is 3/16" thick cast aluminum. Finished with one coat of grey hammerpaint for added corrosion resistance.

Axial vanes are stainless steel, dynamically and statically balanced to assure low noise level and vibration-free operation.

Motor

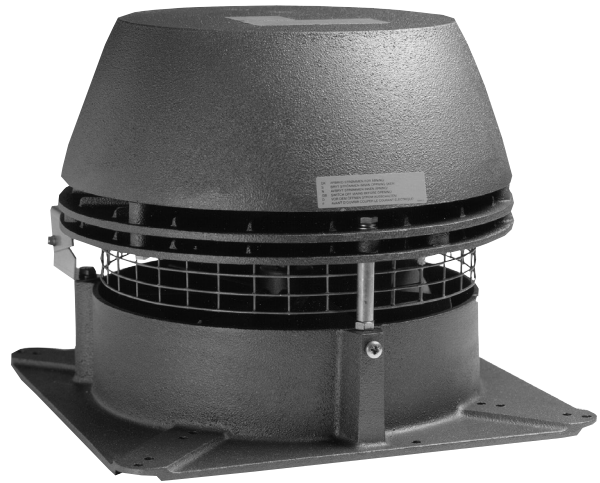
Split capacitor, totally enclosed. Class H insulated, IP54 Protection Class. Sealed ball bearings. Variable Speed. Thermal overload protection.

Standard Equipment

2"x4" or 4"x4" Junction Box with Cover and Conduit
Fiber Mat and Mounting Brackets
Bird Screen
5 Amp Fan Speed Control

Optional Equipment

ADC 100 Fan Control
ADC 150 Fan Control
EFC 211 Fan Control
Proven Draft Switch



Listings

ETL Listed to:

UL378, Standard for Draft Equipment
(for non-solid fuel installations only)
CSA-CAN3-B255-M81, Standard for Mechanical
Flue Gas Exhausters (for non-solid fuel
installations only)

Approvals

CE Compliant
The Commonwealth of Massachusetts
City of Los Angeles, CA (RR 8474)

Warranty

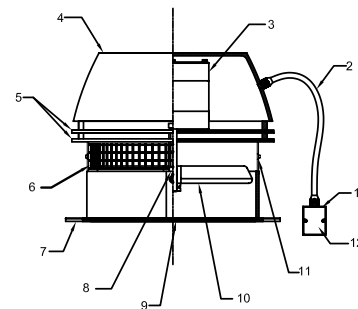
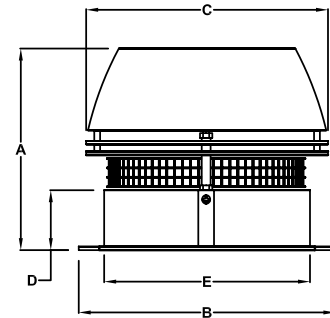
2-year factory warranty on entire fan.
10-year warranty against corrosion perforation.

Manufactured at ISO9001 certified plant.

Volko Supply
www.chimneyfansource.com
800 685 8263

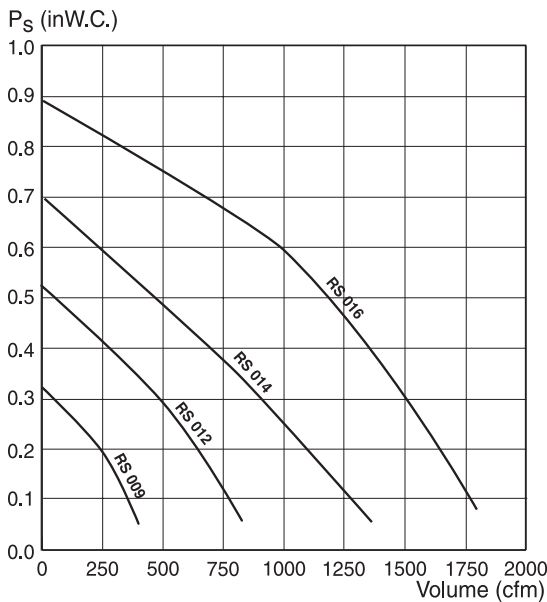
Specifications

Model		RS 009	RS 012	RS 014	RS 016	
Discharge		Horizontal				
Fan Type		Axial Vane				
Motor Type		Totally enclosed, Variable speed, Class H				
Voltage	V AC	1x120				
RPM		1600				
CFM	0.0 Ps	450	950	1400	1950	
Amperage	Amps	0.5	1.2	1.4	3.9	
	HP	1/30	1/10	1/7	1/3	
Motor Output	kW	0.025	0.08	0.1	0.25	
	Weight					
	lbs	29	37	47	61	
	kg	13	17	21	28	
Dimensions	A	in	10.2	11.5	13.1	16.0
		mm	259	292	334	407
	B x B	in	11.7	14.3	16.6	18.8
		mm	296	364	422	478
	C	in	10.8	13.5	15.5	17.4
		mm	275	344	395	441
	D	in	3.0	3.3	3.9	3.9
		mm	75	85	100	100
	E	in	9.4	11.6	13.5	15.4
		mm	238	294	342	391
	Temperature Rating	Interm.	575°F/300°C			
		Cont.	482°F/250°C			



- 1 Junction Box
- 2 Conduit/cord
- 3 Motor
- 4 Motor Housing
- 5 Cooling Plates
- 6 Bird Screen
- 7 Base Plate
- 8 Locking Nut
- 9 Inlet
- 10 Axial Vane
- 11 Hinges
- 12 Capacitor (inside junction box)

Capacity



Sound Data

Model	Lw dB (measured in accordance with ISO 3744)							Lp dB(A)
	125Hz	250Hz	500Hz	1000Hz	2000Hz	4000Hz	8000Hz	
RS 009	54	50	47	43	38	31	25	21
RS 012	64	60	55	52	48	42	34	30
RS 014	75	69	65	62	57	51	44	41
RS 016	81	76	72	69	64	58	52	47

Volko Supply
www.chimneyfansource.com
 800 685 8263