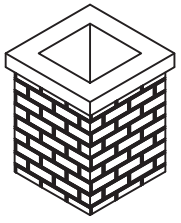





**STEP 1**

**Masonry Chimney:**  
 If a clay chimney liner is present, trim liner so it extends no more than 1/2" above the chimney crown.

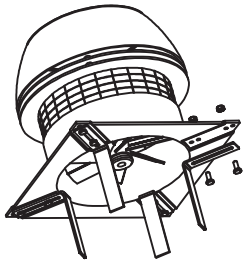


**Steel Chimney:**  
 Use a steel chimney adapter to provide proper fit of the fan on a round steel chimney.



**STEP 2**

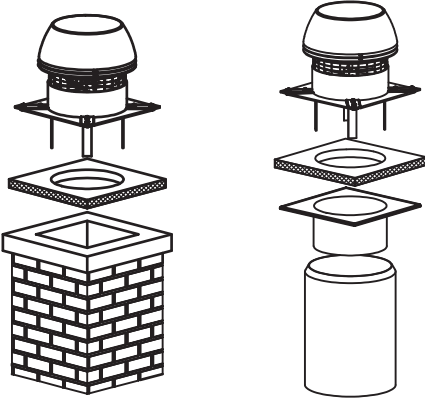
L-shaped mounting brackets are included with the fan. Attach the brackets to the base of the fan as shown. The space between the brackets should be slightly smaller than the diameter of the chimney opening.



**STEP 3**

Cut a hole in the fiber mat to match the size of the chimney. Place the fiber mat on top of the chimney or steel chimney adapter (foil side up).

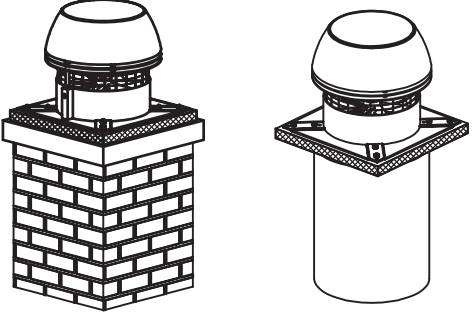
Place the fan on top of the fiber mat. The brackets should fit through the hole in the mat.



**STEP 4**

The weight of the fan and length of the mounting brackets keep it secured to the chimney. Optionally, silicone can be applied along the edge of the fiber mat and fan.

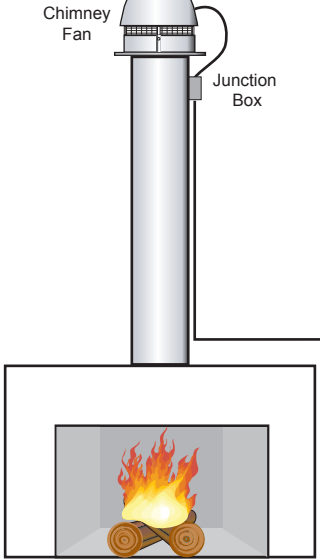
If surroundings are abnormally windy, attach the included steel wire and brackets to the fan and chimney.



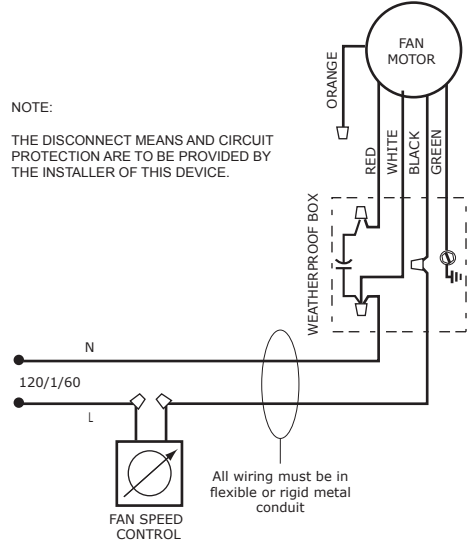
**STEP 5**

A certified electrician should wire the system. Connect as shown.

**NOTE:**  
 A PDS must be interlocked with a gas supply for gas fireplaces.



**NOTE:**  
 THE DISCONNECT MEANS AND CIRCUIT PROTECTION ARE TO BE PROVIDED BY THE INSTALLER OF THIS DEVICE.



All wiring must be in flexible or rigid metal conduit.

\*Refer to the Installation and Operation Manual for complete instructions.