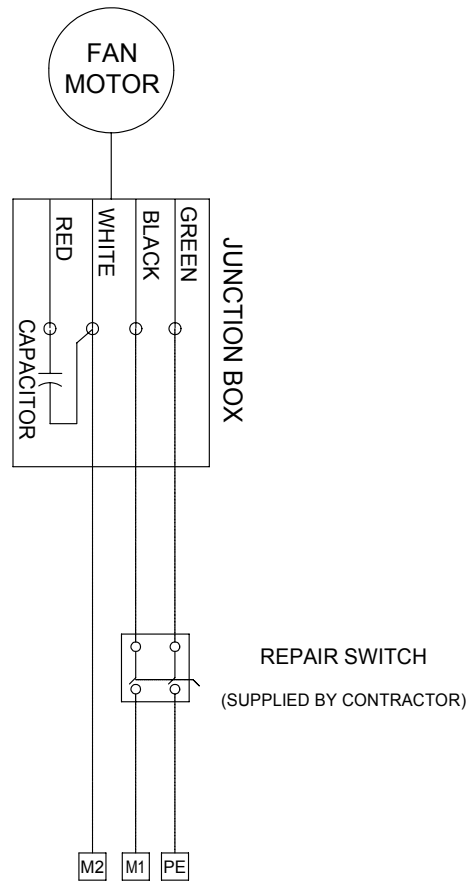
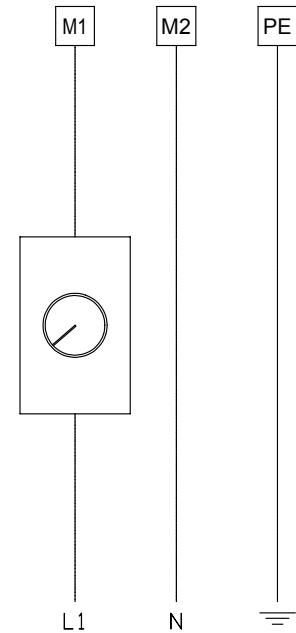


**DO NOT DISCARD JUNCTION BOX-
CAPACITOR INSIDE**



FAN SPEED CONTROL



**POWER SUPPLY
1 X 120 VAC**

