

Air-Cooled Steel Chimney Adapter **ASCA**

Description

The Air-Cooled Steel Chimney Adapters are used specifically when installing a chimney fan on the top of a double-walled, air-cooled chimney.

The adapter is designed to slide into the chimney for a tight fit. The outer diameter of the collar is 1/8" smaller than the inner diameter of the chimney. The 5" collar eliminates the need to secure the adapter externally.

The spacers on the bottom of the ASCA allow air circulation between the inner and outer wall of the chimney.

Material

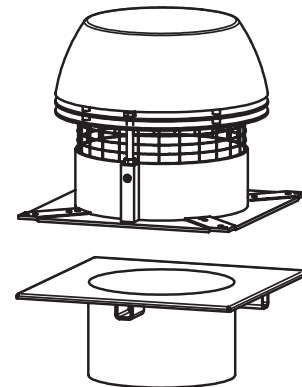
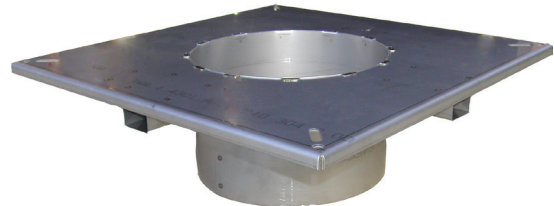
The steel chimney adapter is made of 16GA, 304 stainless steel.

Warranty

2-year factory warranty

Specifications

Standard sizes are shown below. Custom sizes are available upon request.



ASCA with RS Chimney Fan

Fan Type	Flange Dimension	VENT Diameter				
		4"	6"	8"	9"	
RS 009, GSV 012	12.2" x 12.2" (310 x 310 mm)	FR2004A	FR2006A	FR2008A	FR2009A	
		4"	5"	6"	7"	8"
RS 012, RS 014, GSV 014,	15.6" x 15.6" (395 x 395 mm)	FR3004A	FR3005A	FR3006A	FR3007A	FR3008A
		9"	10"	11"	12"	13"
		FR3009A	FR3010A	FR3011A	FR3012A	FR3013A
		8"	10"	11"	12"	13"
RS 016, GSV 016	19.7" x 19.7" (500 x 500 mm)	FR4008A	FR4010A	FR4011A	FR4012A	FR4013A

Volko Supply - Chimney Fan Source
www.chimneyfansource.com
800 685 8263

Specifications are subject to change without notice.

ENERVEX Inc.
1685 Bluegrass Lakes Pkwy.
Alpharetta, GA 30004

P: 770.587.3238
F: 770.587.4731
T: 800.255.2923
info@enervex.com
www.chimneyfans.com

ENERVEX® 
VENTING DESIGN SOLUTIONS